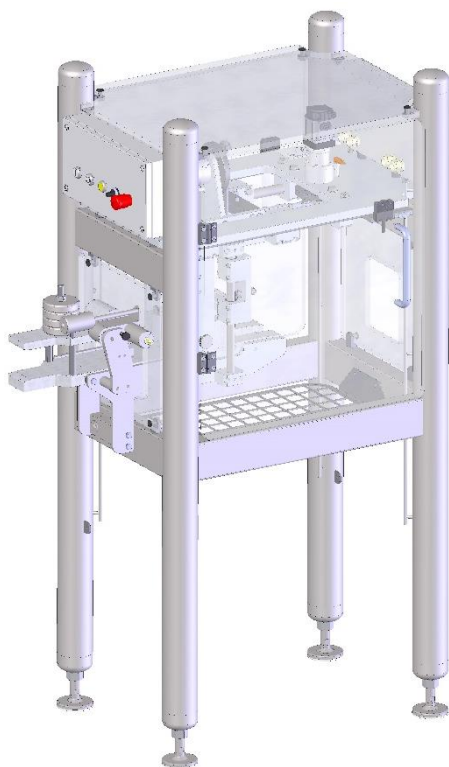


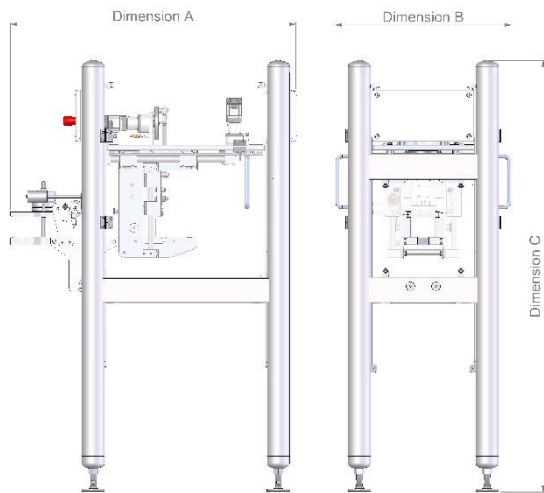
Servo cutter SC



Features:

- Possible for block weight up to 100 gram up to 1000 gram
- Upper weight at cutter infeed
- Encoder wheel for length measurement
- Servo driven trolley
- Servo driven knife
- Pneumatic yeast clamp
- Software preparation for length correction related to checkweigher
- All product contact parts made of Teflon
- Hygienic frame made of stainless steel AISI 304
- Transparent machine doors according CE safety regulations

Technical data:



	Servo cutter SC-100	Servo cutter SC-1000
<i>Weight</i>	190 kg	240 kg
<i>Dimension A</i>	850 mm	1150 mm
<i>Dimension B</i>	600 mm	700 mm
<i>Dimension C</i>	1600 mm	1700 mm

- Electrical connection: 3 phase 400VAC + N + Pe
- Pneumatic connection: >6 bar 50Nl/min at connection machine, clean and dry air

Advantages:

- Smooth trolley and knife movement
- Accurate block length
- Easy installing knife wire
- Teflon parts can be removed easily for effective cleaning