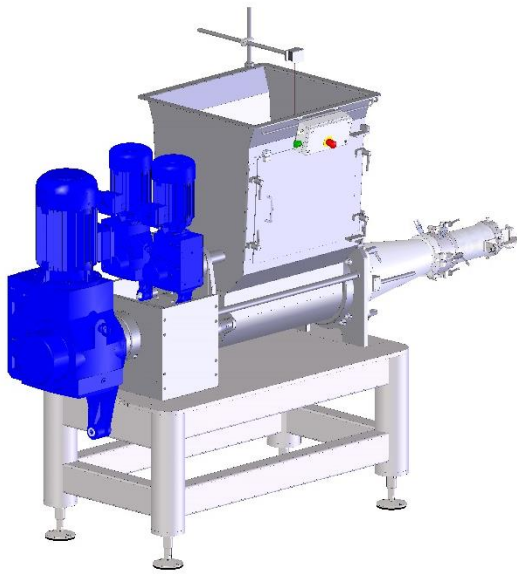


## Extruder fresh EXF

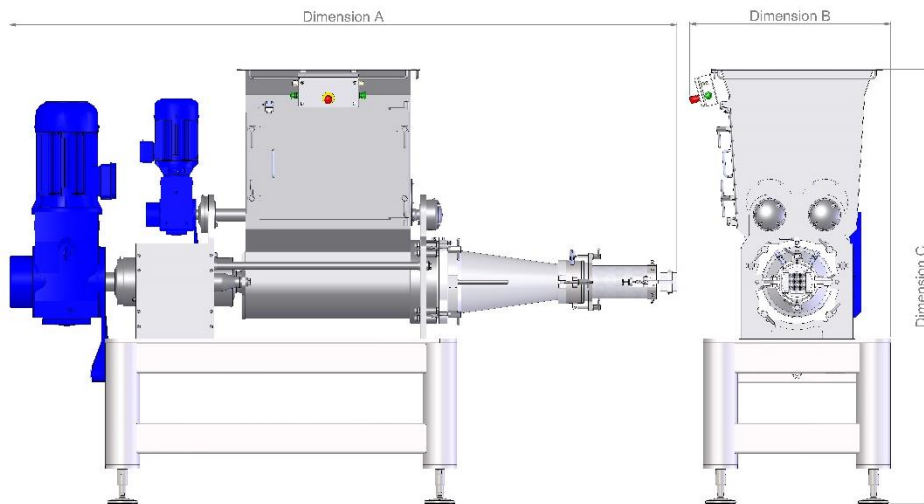
---



### Features:

- Possible screw sizes  $\varnothing 190$  and  $\varnothing 350$
- Hopper easy to clean by hinge door
- Analog level sensor with 6 different settings for process optimisation
- 2 mixing paddles interpedently driven by frequency converter
- Stainless steel screw treated with wet abrasive blasting
- Optimized cone with safety switch
- Teflon nozzle with side skids
- Electronics mounted in a separate stainless steel cabinet
- 9'' full colour touch-screen in stainless steel enclosure nearby extruder or integrated in line controls
- Two-hand safety control to rotate the screw and mixer at low speed during cleaning
- All construction parts are stainless steel AISI 304

## Technical data:



	<b>EXF-190</b>	<b>EXF-350</b>
<i>Weight</i>	1250 kg	2000 kg
<i>Dimension A</i>	2400 mm	3300 mm
<i>Dimension B</i>	850 mm	1000 mm
<i>Dimension C</i>	2150 mm	2150 mm
<i>Volume hopper</i>	225 litre	450 litre

- Electrical connection: 3 phase 400VAC + N + Pe

## Advantages:

- Hygienic design
- Low maintenance design
- Optimized inner geometry for cone and nozzle
- Product contact surfaces treated with water jet blasting, which enables effective cleaning and improves corrosion resistance

## Optional:

- Door position left or right
- Rework stainless steel hopper inlet
- Oil sinter ring system with 3 different grids in extrusion mouthpiece
- Oil pump system in nozzle
- Oil pump system in hopper
- Cleaning spray ball