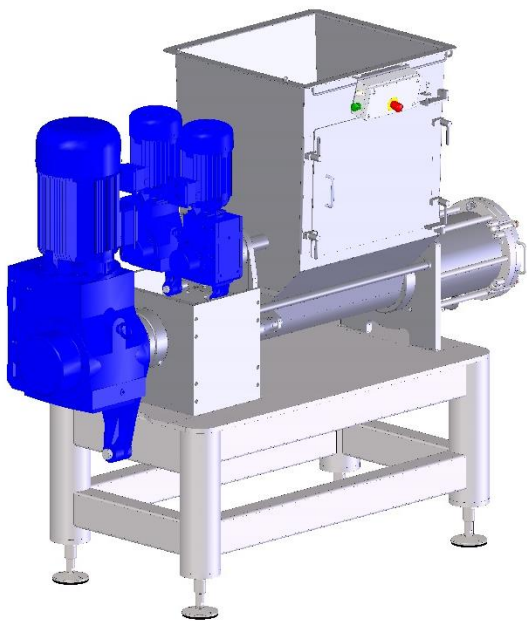


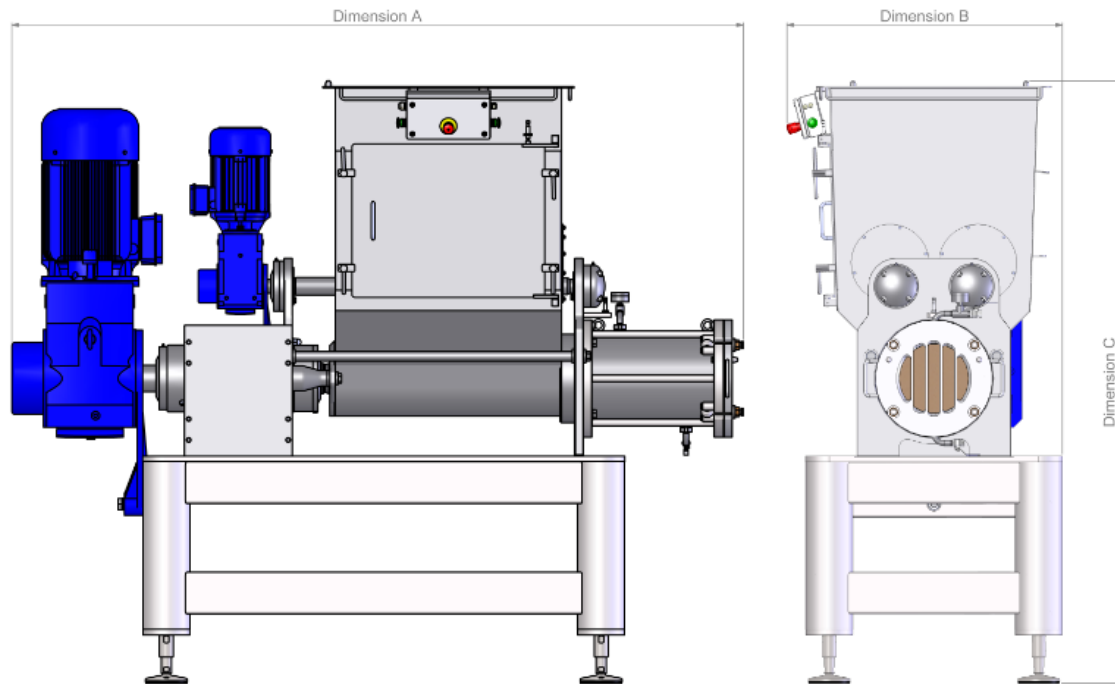
Extruder dry EXD



Features:

- Possible screw sizes $\varnothing 250$ and $\varnothing 350$
- Hopper easy to clean by hinge door
- Analog level sensor with 6 different settings for process optimisation
- 2 mixing paddles interpedently driven by frequency converter
- Stainless steel screw treated with wet abrasive blasting
- Optimized extrusion mouthpiece with safety switch
- Cooling chamber in extrusion mouthpiece
- Electro polished extrusion plate with $\varnothing 0.5$ holes
- Electronics mounted in a separate stainless steel cabinet
- 9'' full colour touch-screen in stainless steel enclosure nearby extruder or integrated in line controls
- Two-hand safety control to rotate the screw and mixer at low speed during cleaning
- All construction parts are stainless steel AISI 304

Technical data:



	EXD-250	EXD-350
<i>Weight</i>	2175 kg	2400 kg
<i>Dimension A</i>	2650 mm	2650 mm
<i>Dimension B</i>	1000 mm	1000 mm
<i>Dimension C</i>	2200 mm	2200 mm
<i>Volume hopper</i>	450 litre	450 litre

- Electrical connection: 3 phase 400VAC + N + Pe

Advantages:

- Hygienic design
- Low maintenance design
- Optimized inner geometry for mouthpiece
- Product contact surfaces treated with water jet blasting, which enables effective cleaning and improves corrosion resistance

Optional:

- Door position left or right
- Cleaning spray ball
- Curved extrusion mouthpiece for more extrusion surface