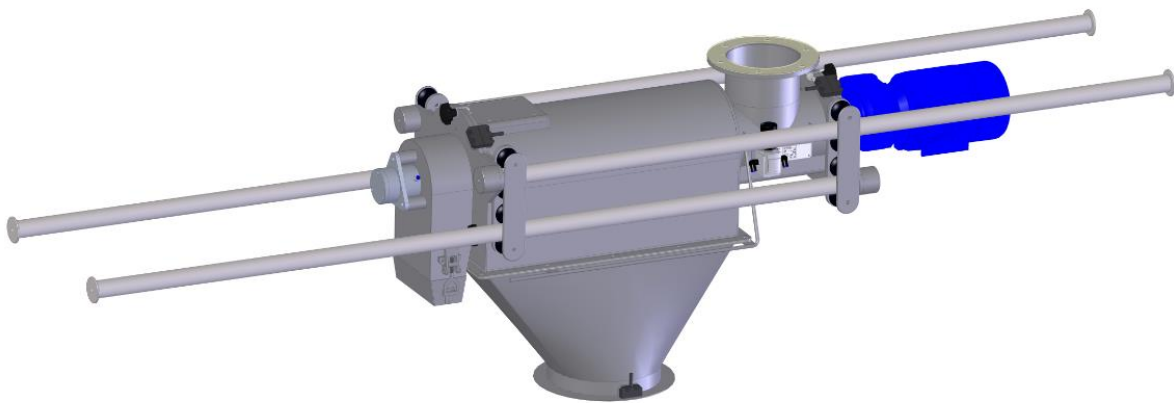


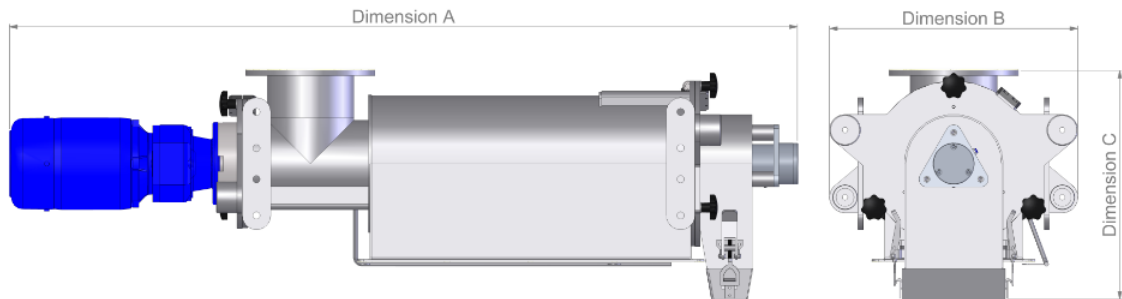
Rotary sifter RS



Features:

- Feeding screw
- Sieve mesh stainless steel
- Course product overflow
- Air flush bearings
- External electrical cabinet
- All construction parts are stainless steel AISI 304
- Product contact surfaces treated with water jet blasting, which enables effective cleaning and improves corrosion resistance

Technical data:



RS-90

<i>Weight</i>	250 kg
<i>Dimension A</i>	1600 mm
<i>Dimension B</i>	480 mm
<i>Dimension C</i>	450 mm

- Electrical connection: 3 phase 400VAC + N + Pe
- Pneumatic connection: >6 bar at connection machine, clean and dry air

Advantage:

- Sieving powders at high capacities
- Easy changing of sieve meshes
- Easy to operate
- Hygienic design

Optional:

- Atex
- Guides for easy cleaning of sieve mesh and sieve screw
- Independent driven feeding screw and sieving screw
- Different sieving meshes
- Mounting floor support on request